

# MV-ID6200EM-00C-NNG

20 MP 1" CMOS Industrial Code Reader



CE

RoHS

## Introduction

With built-in code reading algorithm, MV-ID6200EM-00C-NNG industrial code reader can read different types of 1-dimensional and 2-dimensional codes with reading speed up to 30 codes/sec. It adopts deep learning algorithm to process images with good robustness, and can recognize various complex codes. It can be cooperated with the light source to have a larger depth of field.

## Key Feature

- Built-in deep learning algorithm to read codes with good robustness.
- Adopts CMOS sensor to provide high-quality images with horizontal resolution of 5K and bottom horizontal FOV covering 1-meter conveyor line.
- Supports rapid recognition of multiple codes within large FOV.
- Supports networking of multiple devices.
- Flexible installation and convenient debugging.

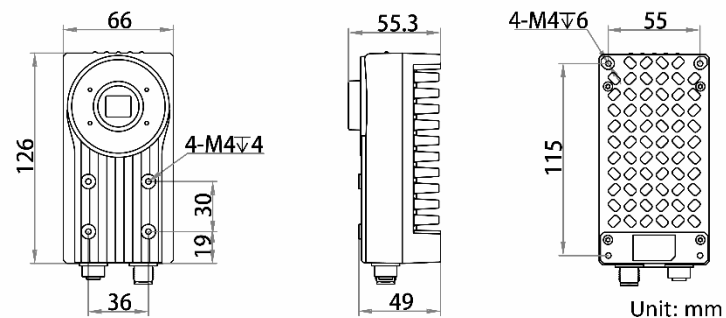
## Available Model

MV-ID6200EM-00C-NNG

## Applicable Industry

Express delivery and logistics, e-commerce, warehouse, etc.

## Dimension



## Accessories

- Lens: KF series FA lens
- Light source: MV-LB-270-140-4030WL-A, MV-LB-270-140-4030WL-IR



# Specification

<b>Model</b>	<b>MV-ID6200EM-00C-NNG</b>
<b>Performance</b>	
<b>Symbologies</b>	1-dimensional codes: Code 39, Code 128, Code 93, ITF 14, ITF 25, CodaBar, EAN 8, EAN 13, UPCA, UPCE
	2-dimensional codes: QR Code, Data Matrix
<b>Max. frame rate</b>	10 fps
<b>Max. reading speed</b>	30 codes/sec
<b>Sensor type</b>	CMOS, rolling shutter
<b>Pixel size</b>	2.4 $\mu\text{m}$ $\times$ 2.4 $\mu\text{m}$
<b>Sensor size</b>	1"
<b>Resolution</b>	5440 $\times$ 3648
<b>Exposure time</b>	16 $\mu\text{s}$ to 500 ms
<b>Gain</b>	0 dB to 40 dB
<b>Mono/color</b>	Mono
<b>Communication protocol</b>	SmartSDK, TCP Client, TCP Server, Serial, FTP, UDP
<b>Electrical feature</b>	
<b>Data interface</b>	Gigabit Ethernet
<b>Digital I/O</b>	12-pin M12 connector provides power and I/O, including opto-isolated input (LineIn 3/4/5) $\times$ 3, opto-isolated output (LineOut 3/4/5) $\times$ 3, and RS-232 $\times$ 1.
<b>Power supply</b>	12 VDC to 24 VDC
<b>Max. power consumption</b>	12 W@24 VDC
<b>Mechanical</b>	
<b>Lens mount</b>	C-mount
<b>Lens cap</b>	Not included
<b>Light source</b>	Not included
<b>Dimension</b>	126 mm $\times$ 66 mm $\times$ 55.3 mm (5.0" $\times$ 2.6" $\times$ 2.2")
<b>Weight</b>	Approx. 550 g (1.2 lb.)
<b>Ingress protection</b>	IP64
<b>Temperature</b>	Working temperature: 0 $^{\circ}\text{C}$ to 50 $^{\circ}\text{C}$ (32 $^{\circ}\text{F}$ to 122 $^{\circ}\text{F}$ ) Storage temperature: -30 $^{\circ}\text{C}$ to 70 $^{\circ}\text{C}$ (-22 $^{\circ}\text{F}$ to 158 $^{\circ}\text{F}$ )
<b>Humidity</b>	20% to 95% RH, non-condensing
<b>General</b>	
<b>Client software</b>	IDMVS
<b>Certification</b>	CE, RoHS



**SOLUMARK**  
INNOVACIÓN EN TRAZABILIDAD

**HIKROBOT**

Hangzhou Hikrobot Co., Ltd.  
en.hikrobotics.com

CIUDAD DE MEXICO - MONTERREY - CIUDAD JUAREZ

Tel: + 52 55 2121 0964 o +52 656 621 6594  
contacto@solumark.mx

[www.solumark.mx](http://www.solumark.mx)

© Hangzhou Hikrobot Co., Ltd. All Rights Reserved.

Hangzhou Hikrobot does not tolerate any infringement. Any organization or individual may not imitate or reproduce in whole or in part of the content. The data herein is based on Hikrobot's internal evaluation. Actual data may vary depending on specific configuration and operating condition. The information herein is subject to change without notice. All the content has been checked conscientiously. Nevertheless, Hikrobot shall not be liable to damages resulting from errors, inconsistencies or omissions.