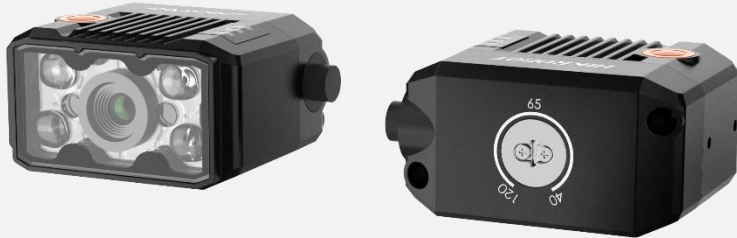


# MV-ID2016M

## 1.6 MP Industrial Code Reader



### Introduction

MV-ID2016M industrial code reader can read different types of 1-dimensional and 2-dimensional codes, and its max. reading speed reaches 45 codes/sec. It adopts deep learning algorithm to process images with good robustness, and can recognize various codes.

### Key Feature

- Built-in deep learning algorithm to read codes with good robustness.
- Compact design and small in size.
- Adopts aviation connector for single cable wiring.
- Adopts LED aiming light to help aim codes.
- Adopts focus knob for adjusting focusing manually.
- Adopts multiple IO interfaces and plug-in power interface.
- Supports multiple communication protocols, including TCP, Serial, FTP, Profinet, etc.

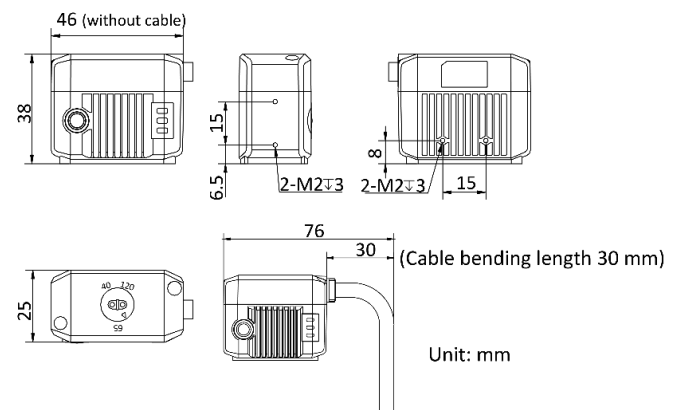
### Applicable Industry

Consumer electronics, food and pharmaceutical, lithium battery, photovoltaics, etc.

### Available Model

- Red light source with network interface: MV-ID2016M-06S-RBN
- Blue light source with network interface: MV-ID2016M-06S-BBN
- White light source with network interface: MV-ID2016M-06S-WBN
- Red light source with USB interface: MV-ID2016M-06S-RBN-U
- Blue light source with USB interface: MV-ID2016M-06S-BBN-U
- White light source with USB interface: MV-ID2016M-06S-WBN-U

### Dimension



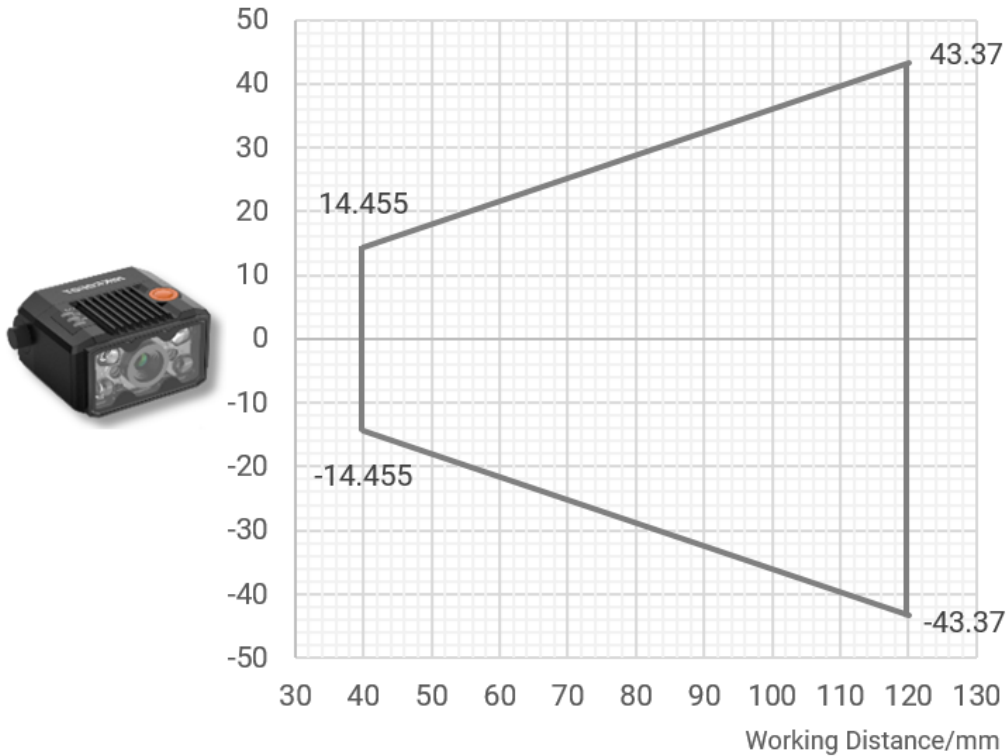
## Specification

Model	MV-ID2016M-06S-RBN(-U)	MV-ID2016M-06S-BBN(-U)	MV-ID2016M-06S-WBN(-U)
<b>Performance</b>			
<b>Symbologies</b>	1D codes: Code 39, Code 93, Code 128, CodaBar, EAN 8, EAN 13, ITF 14, ITF 25, MATRIX 25, UPCA, UPCE, MSI, Code 11, Industrial 25, China Post, and Pharmacode		
	2D codes: QR Code, Data Matrix, Micro QR, and AZTEC		
	Stacked codes: PDF 417		
<b>Max. frame rate</b>	60 fps		
<b>Max. reading speed</b>	45 codes/sec		
<b>Sensor type</b>	CMOS, global shutter		
<b>Pixel size</b>	3.45 μm × 3.45 μm		
<b>Sensor size</b>	1/2.9"		
<b>Resolution</b>	1408 × 1024		
<b>Exposure time</b>	16 μs to 1 sec		
<b>Gain</b>	0 dB to 15 dB		
<b>Mono/color</b>	Mono		
<b>Communication protocol</b>	Device with network interface: SmartSDK, TCP Client, Serial, FTP, TCP Server, Profinet, MELSEC, Ethernet/IP, ModBus, UDP, Fins, and SLMP Device with USB interface: SmartSDK, USB		
<b>Electrical feature</b>			
<b>Data interface</b>	Device with network interface: Fast Ethernet Device with USB interface: USB2.0		
<b>Digital I/O</b>	Device with network interface: 17-pin M12 connector provides power and I/O, including non-isolated input × 1 (Line 2), non-isolated output × 1 (Line 3), configurable bi-directional non-isolated I/O × 2 (Line 0/1), and RS-232 × 1. Device trigger via pressing button on side supported. Device with USB interface: 17-pin M12 connector provides data transmission. Device trigger via pressing button on side supported.		
<b>Power supply</b>	Device with network interface: 12 VDC to 24 VDC Device with USB interface: 5 VDC (USB2.0 provides power supply)		
<b>Max. power consumption</b>	Device with network interface: Approx. 10.6 W@24 VDC Device with USB interface: Approx. 4.6 W@5 VDC (USB2.0 provides power supply)		
<b>Mechanical</b>			
<b>Focal length</b>	6.72 mm (0.3")		
<b>Lens mount</b>	M10-mount, adjusting focus manually supported		
<b>Working distance</b>	40 mm to 120 mm (1.6" to 4.7")		
<b>Ambient illumination</b>	0 lux to 50000 lux		
<b>Light source</b>	Red	Blue	White
<b>Aiming system</b>	Green LED		
<b>Indicator</b>	Power indicator (PWR), network indicator (LNK), and status indicator (STS)		
<b>Dimension</b>	46 mm × 38 mm × 25 mm (1.8" × 1.5" × 1.0")		
<b>Weight</b>	Approx. 160 g (0.35 lb.)		
<b>Ingress protection</b>	IP65		
<b>Temperature</b>	Working temperature: 0 °C to 50 °C (32 °F to 122 °F), Storage temperature: -30 °C to 70 °C (-22 °F to 158 °F)		
<b>Humidity</b>	20% to 95% RH, non-condensing		
<b>General</b>			
<b>Client software</b>	IDMVS		
<b>Certification</b>	CE, RoHS, KC		

**Detection Range**

Working Distance	FoV		1D Single Pixel Accuracy (mm)	2D Single Pixel Accuracy (mm)
	H (mm)	V (mm)		
40	28.91	21.03	0.023	0.062
80	57.83	42.06	0.045	0.123
120	86.74	63.09	0.068	0.185

Horizontal FoV/mm



**CIUDAD DE MEXICO - MONTERREY - CIUDAD JUAREZ**

**Tel: + 52 55 2121 0964 o +52 656 621 6594**

**contacto@solumark.mx**

**[www.solumark.mx](http://www.solumark.mx)**