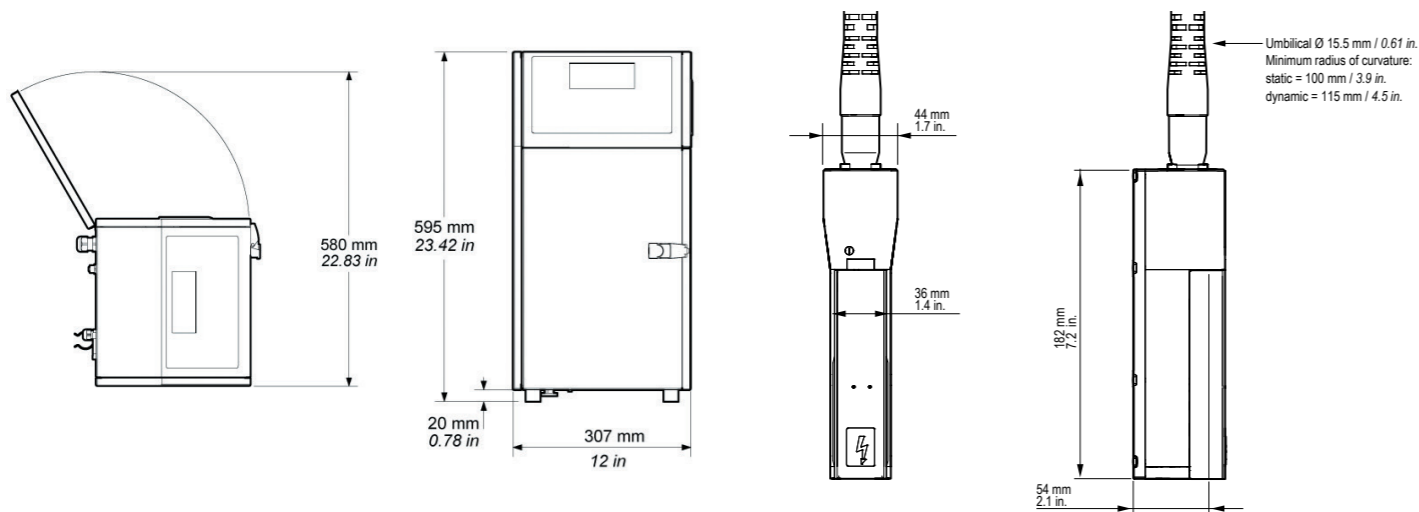


9029 - Specifications



Print features

- Mono-jet printhead
- G head (printing resolution: 71 dpi)
- Up to 4 lines of print
- Print speed: up to 4.4 m/s
- Font height from 5 to 24 dots
- Character height: from 1.8 to 8.7 mm
- Wide choice of characters (Latin, Arabic, Cyrillic, Greek, Japanese, Chinese, Hebrew, Korean...)

Operations

- Message library (up to 100 messages)
- International operator/machine interface (choice of 31 languages)
- Large WYSIWYG backlit blue screen
- Integrated help for navigation and diagnostics
- Creation of logos directly on the operator/machine interface
- USB port
- M6' ink circuit
- Jet Speed Control guarantees marking quality
- Automatic selection of fonts, depending on print speed and printhead/object distance
- Possibility to choose ink types: quick-drying MEK-free and MEK, alcohol-based, color changing for sterilization process
- 2 sealed intelligent cartridges, 0.8 liter each
- Quick connect/disconnect of accessories (photocell, encoder, alarm)
- RS-232 connectivity

Other characteristics

- Weight: 18.5 kg
- 2-meter flexible umbilical cable
- Stainless steel cabinet
- Dust/humidity protection rating: IP55
- No plant air required
- Operating temperature range: 0° to 40° C, depending on ink used
- Humidity: 10% to 90% non-condensing
- Electrical power supply: 100 - 120 V or 200 - 240 V with automatic switching; frequency 50/60 Hz; power 34 W

Options

- One and two-dimensional barcodes (Datamatrix)
- Ethernet connectivity
- Printhead pressurization kit (plant air required)
- Autonomous pressurization kit (no plant air required)
- 3-meter umbilical

Accessories

- Printer supports: stands (stainless steel or aluminum), table or wall mounting bracket
- Stainless steel printhead cover
- Photocell
- Encoder
- Alarm beacon (24 V)
- Conveyor stop output

Code with CONFIDENCEsm – Ensure excellent performance and peace of mind with our array of genuine Markem-Imaje after-sales services. Offerings include spare part kits, consumables solutions and service packages including start-up packages, extended warranty contracts, service exchange programs and all-inclusive agreements. With Markem-Imaje you redefine your production possibilities.

CIUDAD DE MEXICO - MONTERREY - CIUDAD JUAREZ

Tel: + 52 55 2121 0964 o +52 656 621 6594

contacto@solumark.mx

www.solumark.mx



We reserve the right to amend the design and/or specifications of our products without notice.
© 2023 Markem-Imaje, a Dover Company. MARKEM-IMAJE and the MI MARKEM-IMAJE Logo are registered trademarks of Dover Europe Sàrl in the United States, the European Union and various other countries.
Photos: ginko-photo.com - A48141- F1



9029 | Easy. Smart. Ready.

Small character inkjet

Redefine the possiblesm • markem-imaje.com

Between manufacturing and selling your products, you have more important things to worry about than ensuring the quality of your code.

Engineered to bring you the innovation you deserve with the simplicity you require, the Markem-Imaje 9029 will facilitate daily operations and save you time!

Your challenges

- Need a trustworthy supplier that can help secure your product with a quality code in a cost-effective manner
- Assure equipment is easy to order, install, use and maintain
- Ensure equipment codes in challenging environments and can be easily started even after storage

Our solution

Designed for low to medium duty applications, the 9029 inkjet printer allows you to print all of your products and in a cost-effective manner for more than 8000 hours*.

Key benefits

- 9029's M6' ink module ensures quality coding for more than 8000 hours*
- The M6' ink module can be changed in less than 6 minutes and requires no maintenance
- Its automatic cleaning system ensures clean and easy start-ups even after long storage periods

Delivering quality codes through a smart and easy inkjet solution



Easy to set-up

- **Easy to install**
Move it and install it anywhere according to your needs thanks to its robust IP55 fully stainless steel design.
- **Easy to design messages**
Quickly create or upload your codes via the newly designed user interface and USB connection.
- **Easy to run**
Intuitive online guide to manage your coder daily on your own more efficiently.

Smart to operate

- **The M6': A smart all-in-one ink circuit that runs for more than 8000 hours***
Optimize your time and change your M6' in less than 6 minutes and on your own. No extra maintenance needed.
- **Reduced Total Cost of Ownership**
Reduce your additive consumption by 50%** thanks to a latest generation hydraulic system.
- **Smart consumable. No set-up required**
With its innovative cartridge system design, you'll experience advanced consumable management.
- **Smart in use. No import or export issues**
Its standard-priced MEK-free ink facilitates supply, compliance and safety related issues.

Ready to print

- **Constant quality print available in many fonts including logos**
Jet Speed Control guarantees reliability and consistency of print quality regardless of environmental conditions.
- **More uptime through an automatic cleaning system**
Start-ups are simple and carried out in no time via the printhead cleaning system. Plug it and start printing!
- **Wide application coverage**
New line of high adhesion inks adapted to the most difficult substrates and market needs, including quick-drying standard MEK-free inks and a thermochromic ink.
- **Ideal for seasonal use**
Can be easily stored for weeks and jet stability linked to start-up will remain perfect.