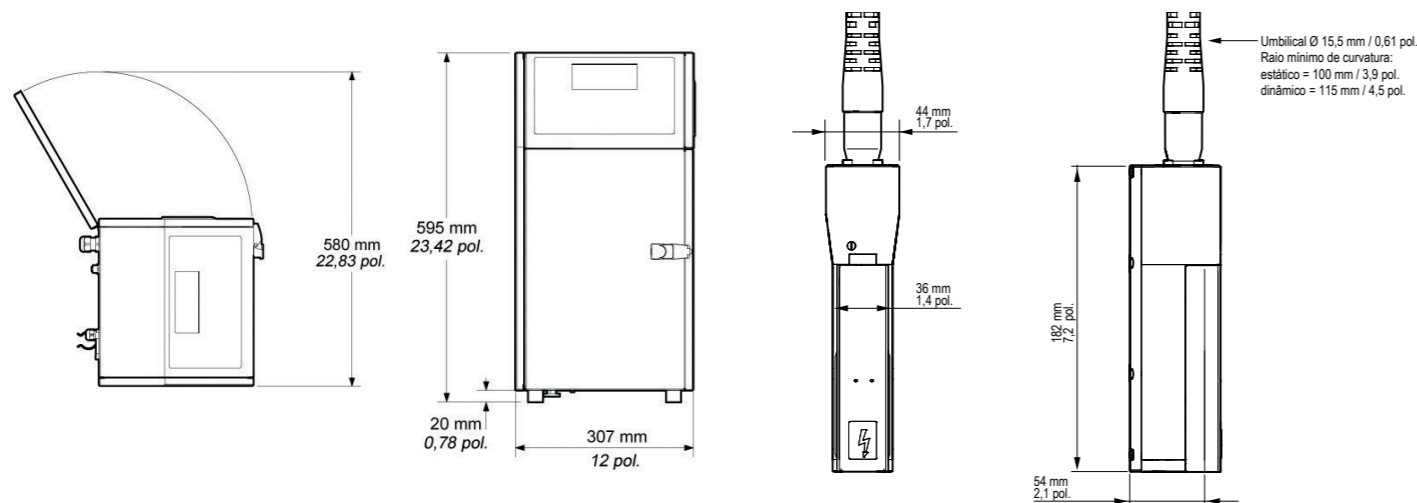


9018 - Specifications



Print features

- Mono-jet printhead
- G head (printing resolution: 71 dpi)
- Up to 3 lines of print
- Print speed: up to 3 m/s
- Font height from 5 to 24 dots
- Character height: from 1.8 to 8.7 mm
- Wide choice of characters (Latin, Arabic, Cyrillic, Greek, Japanese, Chinese, Hebrew, Korean...)

Operations

- Message library (up to 100 messages)
- International operator/machine interface (choice of 31 languages)
- Large WYSIWYG backlit blue screen
- Integrated help for navigation and diagnostics
- Creation of logos directly on the operator/machine interface
- USB port
- M6' ink circuit
- Jet Speed Control guarantees marking quality
- Automatic selection of fonts, depending on print speed and printhead/object distance
- Possibility to choose different types of quick-drying black inks, including MEK-free
- 2 sealed intelligent cartridges, 0.75 liter each
- Quick connect/disconnect of accessories (photocell, encoder, alarm)

Other characteristics

- Weight: 18,5 kg
- 2-meter flexible umbilical cable
- Stainless steel cabinet
- Dust/humidity protection rating: IP55
- No plant air required
- Operating temperature range: 0° to 40° C, depending on ink used
- Humidity: 10% to 90% non-condensing
- Electrical power supply: 100 - 120 V or 200 - 240 V with automatic switching; frequency 50/60 Hz; power 34 W

Options

- 4-line printing
- RS-232 connectivity
- Printhead pressurization kit (plant air required)
- Encoder and alarm connectivity
- 3-meter umbilical

Accessories

- Printer supports: stands (stainless steel or aluminum), table or wall mounting bracket
- Stainless steel printhead cover
- Photocell
- Encoder
- Alarm beacon (24 V)
- Conveyor stop output



9018 | Easy. Smart. Ready.

Small character inkjet

CIUDAD DE MEXICO - MONTERREY - CIUDAD JUAREZ

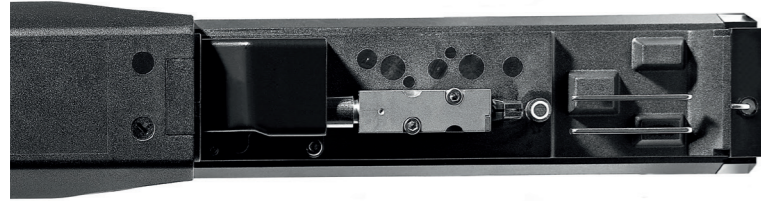
Tel: + 52 55 2121 0964 o +52 656 621 6594

contacto@solumark.mx

www.solumark.mx

9018: Easy. Smart. Ready

A state-of-the-art inkjet coder that brings you the innovation you deserve with the simplicity you require. Start work immediately and efficiently with the 9018 from Markem-Imaje, your marking and coding partnering supplier of choice.



Run it in just a few minutes! It's that easy.

- **Easy to print** - Quickly create or upload your codes via the newly designed user interface and USB connection.
- **Easy to install & maintain** - Move it and install it anywhere according to your needs - even in harsh environments thanks to its robust IP54 fully stainless steel design.
- **Easy to run** - Intuitive online guide to manage your coder daily on your own more efficiently.

Smart non-stop production for 6000 hours

- **The smartest ink circuit: M6'** - At the heart of your 9018, the M6' can be changed in less than six minutes and on your own. Simply click it into place and click it out.
- **Smart consumable. No set-up required** - With its innovative cartridge system design, you'll experience advanced consumable management.
- **New line of high adhesion inks** capable of coding on the most difficult substrates, including a quick-drying Mek-free ink.
- **Constant quality print.** Cartridges are automatically managed thus printing parameters adjusted.



Ready to print, out of the box!

- **Start-ups are simple** and carried out in no time via the latest generation printhead cleaning system. Plug it and start printing!
- **Can be easily stored for weeks,** and jet stability linked to start-up will remain perfect.

Wide application coverage



Flexible packaging, rigid plastic, paper-based container, liquid carton, polymers

Printing capabilities

2 printing modes	STANDARD SPEED MODE MAX SPEED: 0.60 m/s Standard speed mode	HIGH SPEED MODE MAX SPEED: 1 m/s High speed mode
Multi-line	9000 SERIES CIJ PRINTERS 3 LINES - 7 DOTS 3 lines, 7 dots	 2 lines, 7 dots
Capability to mix different character heights		
Bold characters	7 DOTS BOLD1 7 DOTS BOLD2 7 DOTS BOLD3	
Chimney characters		
Logos	 24 dots	 24 dots
		 20 dots

Printing dimensions with G head



Alphabets

Character height in dots

	5	7	9	11	16	24
Cyrillic		•			•	•
Latin	•	•	•	•	•	•
Arabic		•			•	•
Chinese				•	•	•
Russian		•		•	•	
Greek		•			•	•
Hebrew	•	•			•	•
Japanese		•		•		•
Korean		•	•	•		
Thai		•				

Japanese

賞味期限 17.12.31
製造年月日 17.11.15
製造所固有記号 BM36/4

Korean

제조일자: 2017.11.16
유통기한: 2017.11.15
제조번호: K201111151

Chinese

生产日期 2017-01-21
保质期 2017-07-20

Russian

ААТА МЭГ. 1452
ГОАЕН АО 17.05.